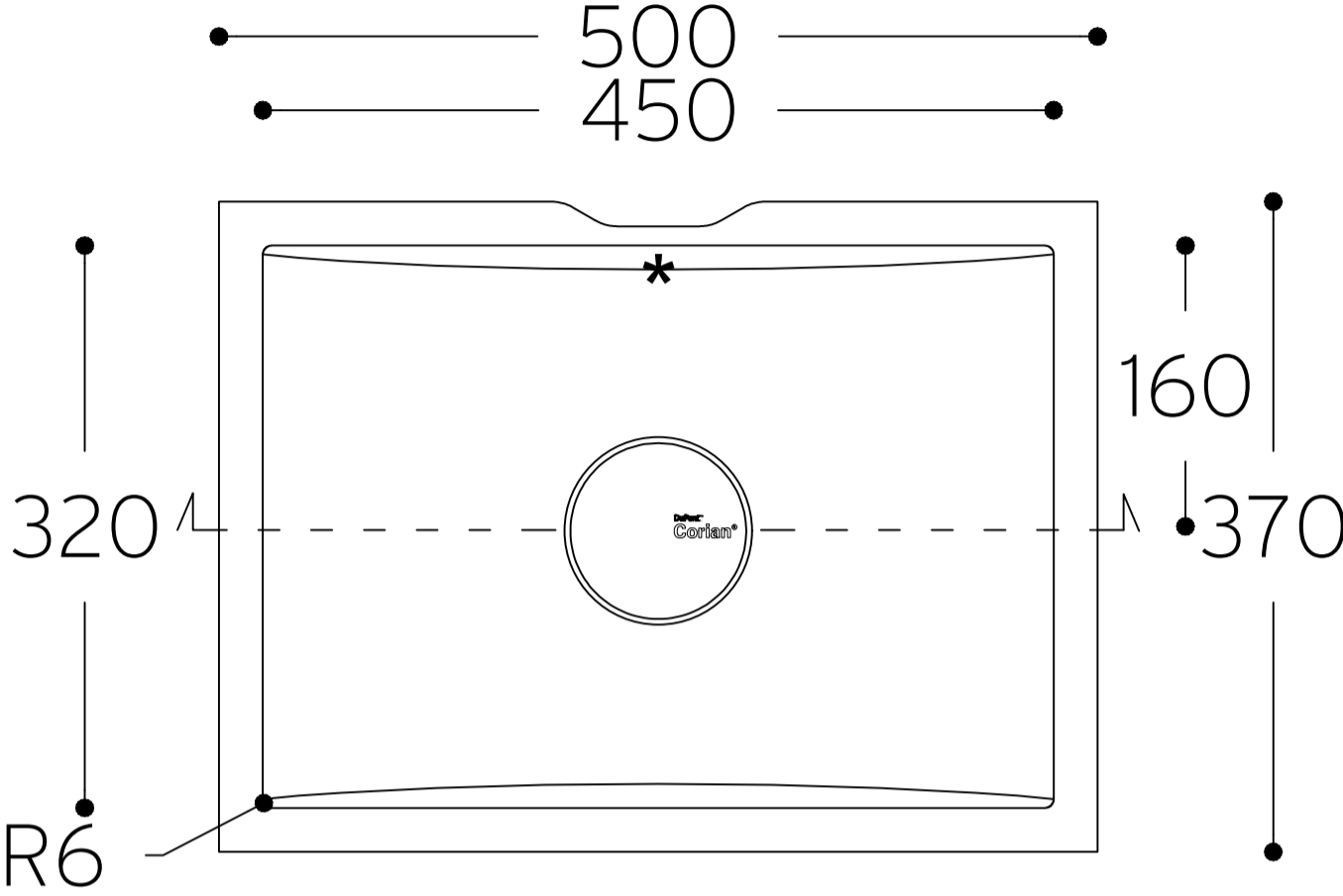


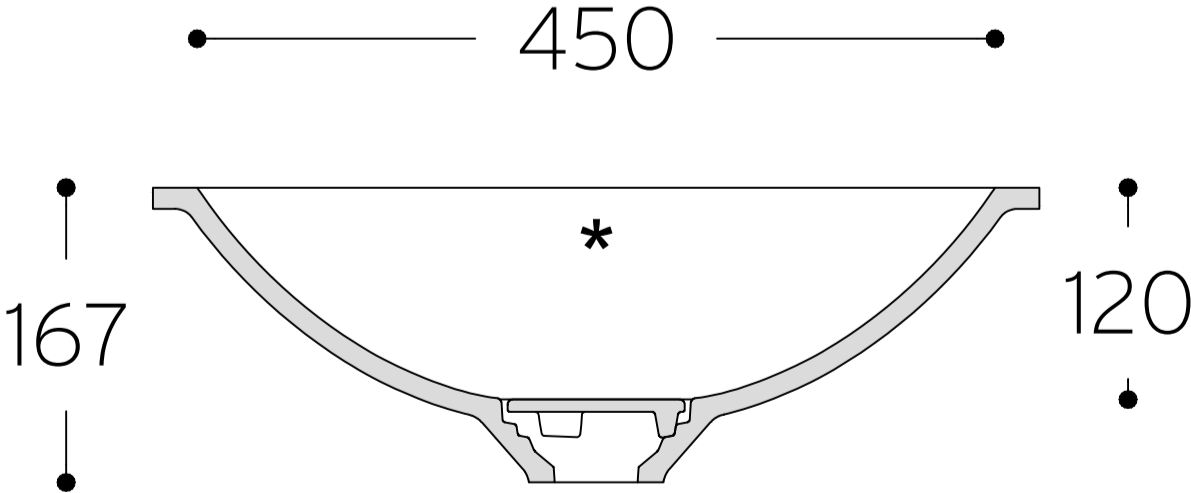
# Refresh 7410

## TOP VIEW

\* overflow



## CROSS-SECTION



All dimensions in mm